



# Finesse™ Peak®

Headerless frameless pivot shower door  
5698-34

## Features

- Heavy 1/4" (6 mm) glass for strength and stability.
- CleanCoat®+ glass coating creates a hydrophobic barrier that repels water, soap scum, and residue, saving time and protecting shower doors 10 times longer than original CleanCoat. (Based on 2021 internal wear/abrasion testing using a microfiber cloth.)
- Tempered glass ensures enhanced safety and durability.

## Installation

- Out-of-plumb adjustability simplifies installation.
- Door can be installed to open to the left or right to suit your bathroom layout.
- Not for use in hospitality.
- For residential use only.

## Included Components

Additional Components:  
Hardware kit



## Codes/Standards

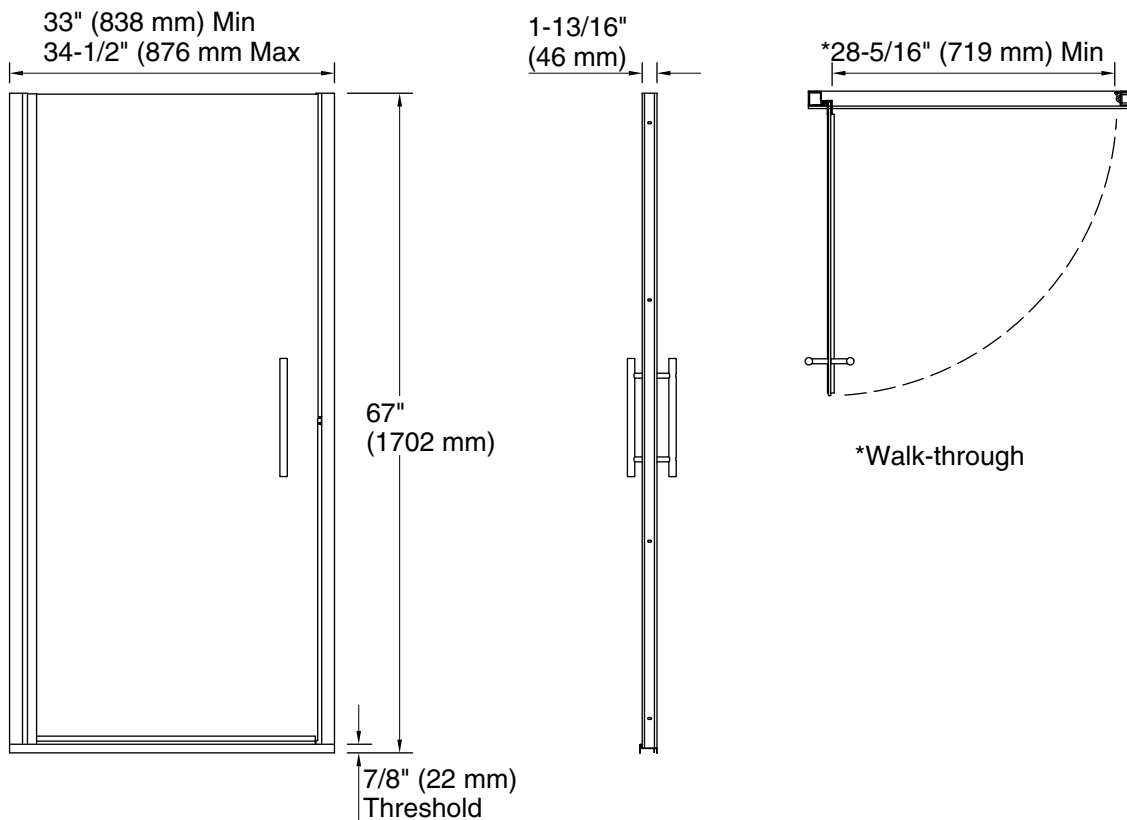
ANSI Z97.1  
CPSC 16CFR 1201

## STERLING® Warranty - Bath and Shower Doors

See website for detailed warranty information.

## Available Glass Options

Code	Description
G05	Clear
G03	Frosted



### Technical Information

All product dimensions are nominal.

Installation type: For shower base installation

Opening Width - 33" (838 mm)  
Min:

Opening Width - 34-1/2" (876 mm)  
Max:

Walk-through - Min: 28-5/16" (719 mm)

Base-To-Wall 1/2" (13 mm)  
Radius - Max:

Glass thickness: 1/4" (6 mm)

Glass coating: CleanCoat®

### Notes

Install this product according to the installation instructions.

The vertical opening should be a minimum of 67" (1702 mm) to allow for installation clearance.